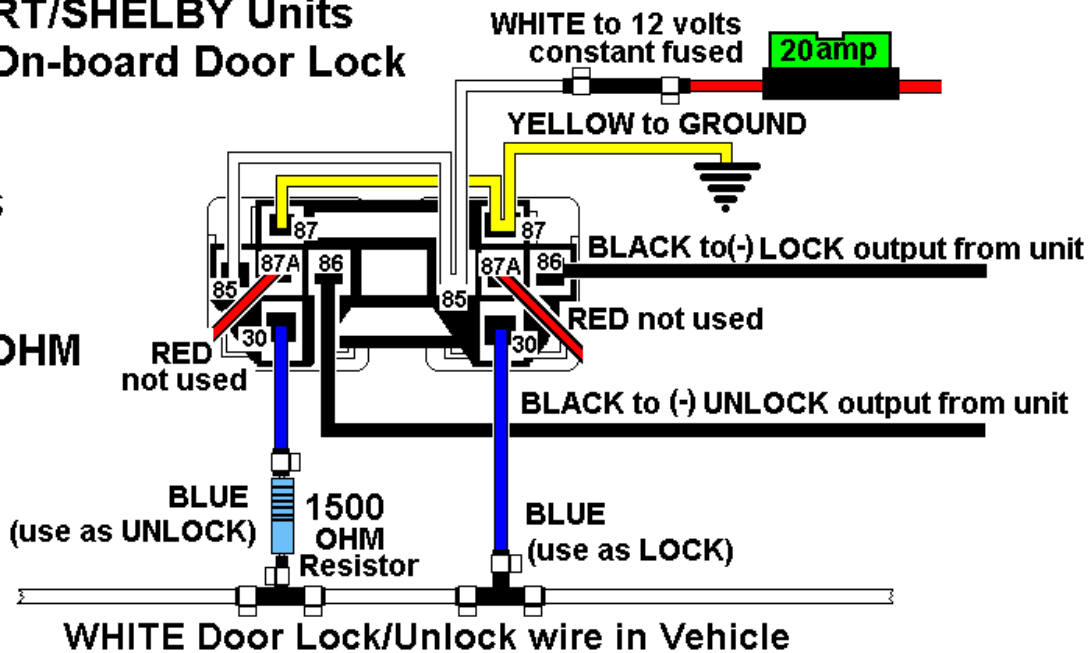
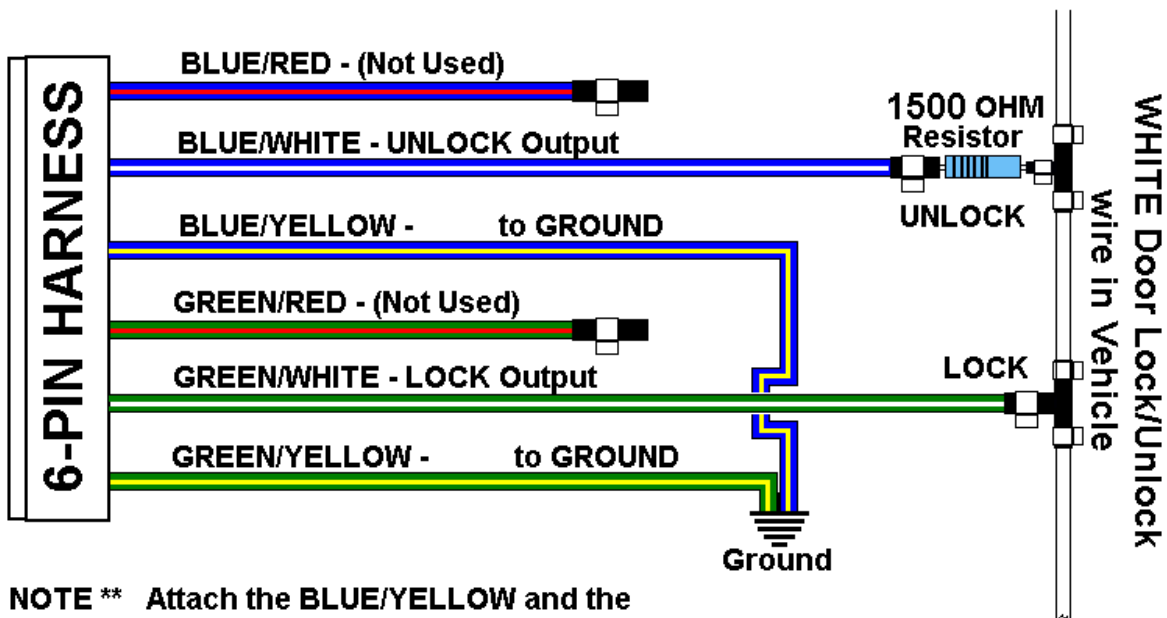


For ALERT/SHELBY Units without On-board Door Lock Relays:

Requires
 (1) 778 or
 (2) 775's
 (1) 1500 OHM Resistor



For ALERT/SHELBY Units with On-board Door Lock Relays: Requires (1) 1500 OHM Resistor



NOTE ** Attach the BLUE/YELLOW and the GREEN/YELLOW wires to a SOLID BODY GROUND.