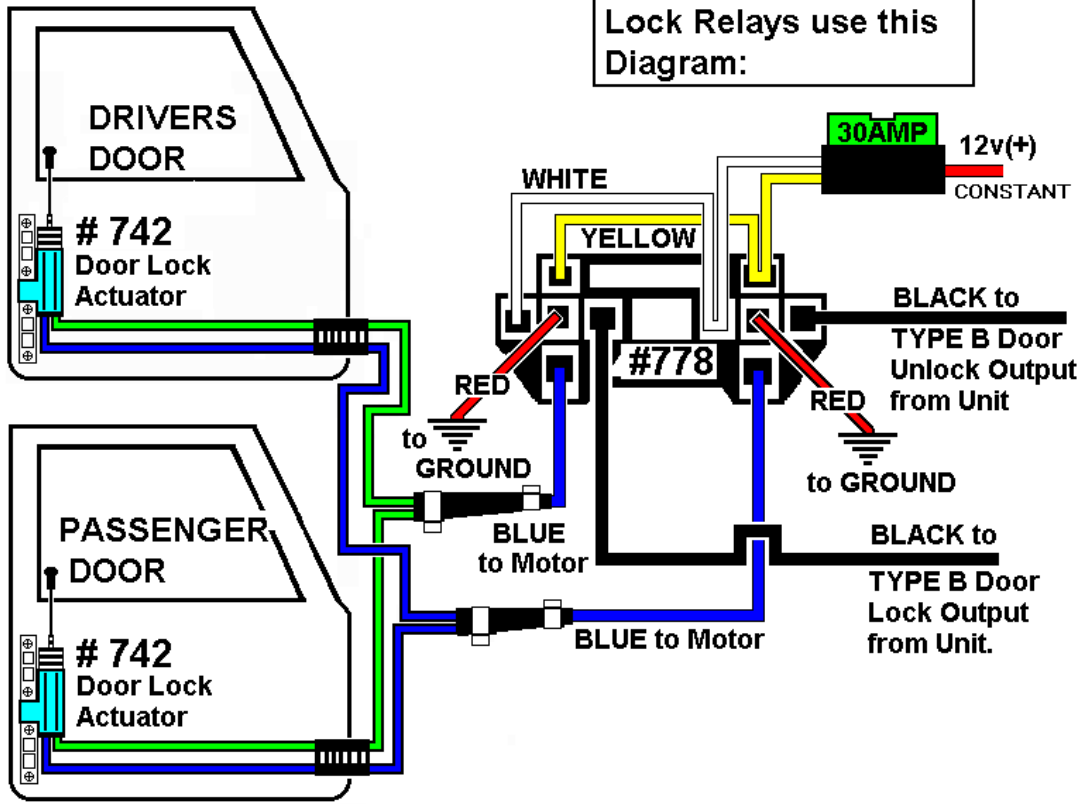


# DOOR LOCK ACTUATOR Diagram for ALERT/SHELBY Unit:

Requires (2) #742's and (1) #778

If your Unit DOES NOT have On-Board Door Lock Relays use this Diagram:



If your Unit HAS On-Board Relays use this Diagram:

Requires (2) #742's

