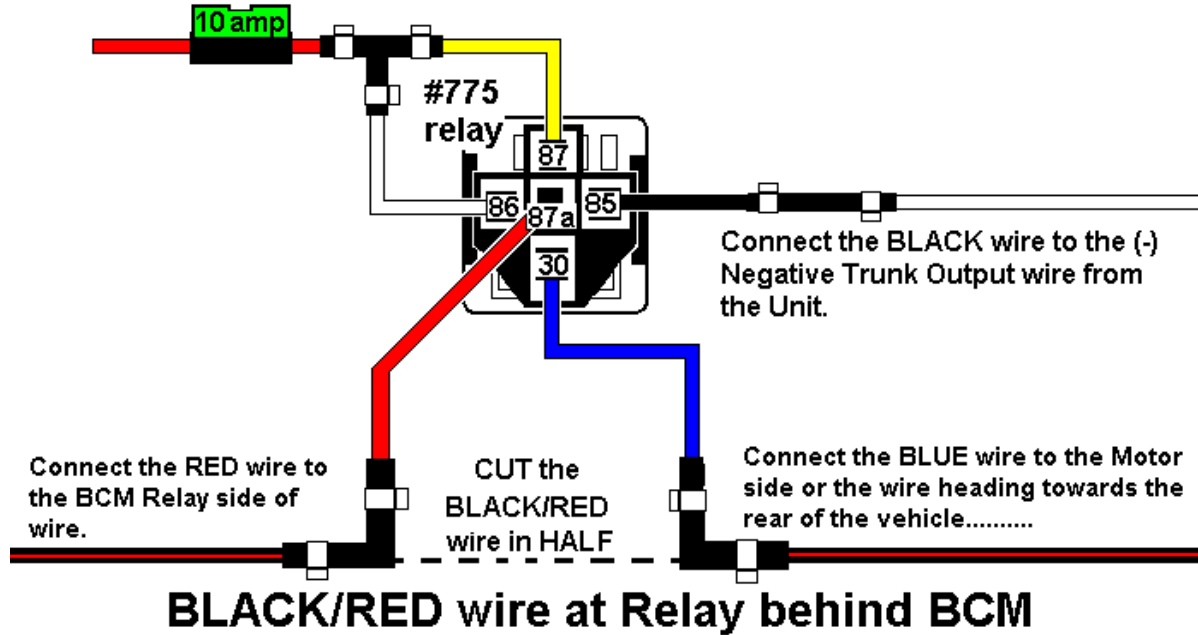


GM 5-wire TRUNK RELEASE DIAGRAM:

If your Unit ONLY has a (-) NEGATIVE TRUNK POP OUTPUT use this DIAGRAM:

Requires (1) of part # 775

Connect the WHITE and the YELLOW wire from the #775 relay to 12 volts CONSTANT fused at 10amps.



If your Unit ONLY has a (+) POSITIVE TRUNK POP OUTPUT use this DIAGRAM:

